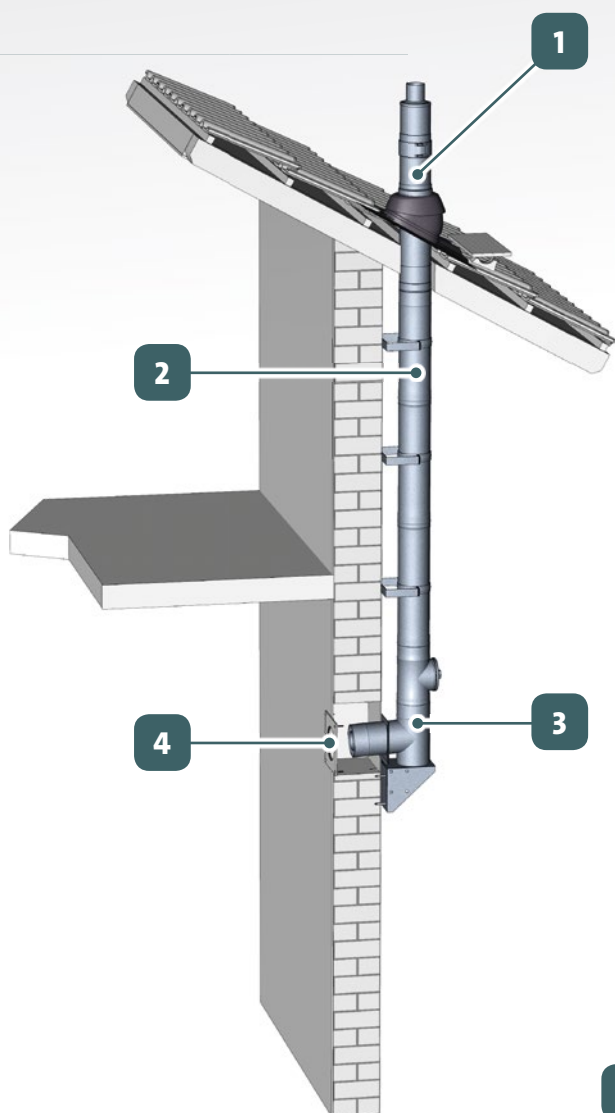


Flues and chimney systems

Complete systems overview

Outdoor systems rigid | concentric

Description



- The outdoor systems are designed for installation along the outer side of a building. The PP rigid, flue ducts are suitable for condensing gas and oil boilers with a maximum flue temperature of 120°C. The INOX outer ducts have a polished finish.
- The combustion air is taken at the bottom of the system. Installing an optional air inlet part gives the possibility to take the air from a different location.
- Rain ingress is avoided due to clever design. The terminals contain a UV-resistant flue PP pipe which can freely move up and downwards to compensate elongation due to temperature variations.

- 1** Terminals
→ page 22
- 2** System components
→ page 22
- 3** System connection
→ page 23
- 4** Boiler connection materials
→ page 52 for concentric materials
→ page 54 for single-wall materials

Technical details

CE marking	EN14471 T120 H1
Temperature class	T120
Seals	EPDM for flue pipe connections, silicon for air inlet
Pressure class of the system	H1 (5.000 Pa)
Available diameters [mm]	60/100, 80/125, 110/160, 125/185, 160/225, 200/300, 250/350, 315/400
Installation types	C5, C3, C4, B3, B2

Features and benefits

- Complete range of products for all installations
- Rain water tight
- Aesthetically fits to each and every wall structure and color
- Roof tiles available



1

Terminals

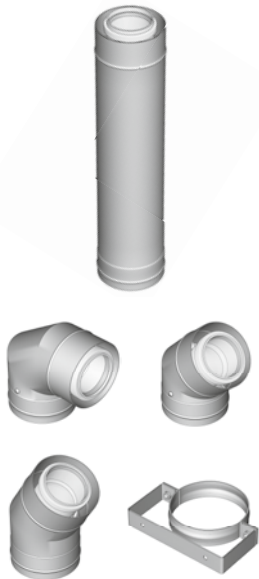


INOX Terminal

- Outer part of INOX
- Flue pipe of UV-resistant PP
- Flue pipe is moving freely
- Terminal consists of 3-parts
 - concentric outlet part with UV-resistant PP flue pipe
 - concentric basic terminal part that will be connected to the flue system
 - a clamp to connect these 2 component to a complete terminal

2

System components

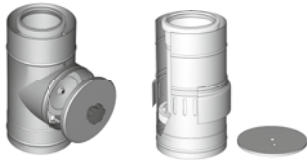


INOX System

- Extension pipes
 - 500 and 1000 mm extension pipes
- Bends
 - Available in 30°, 45° and 87°
- Installation bracket
 - For a firm façade installation

2

System components

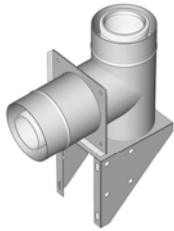


INOX Special parts

- Inspection part
- Optional air-inlet part
 - Includes a round plate to close the opening in the wall support. Part can be placed between top and bottom of the system

3

System connection



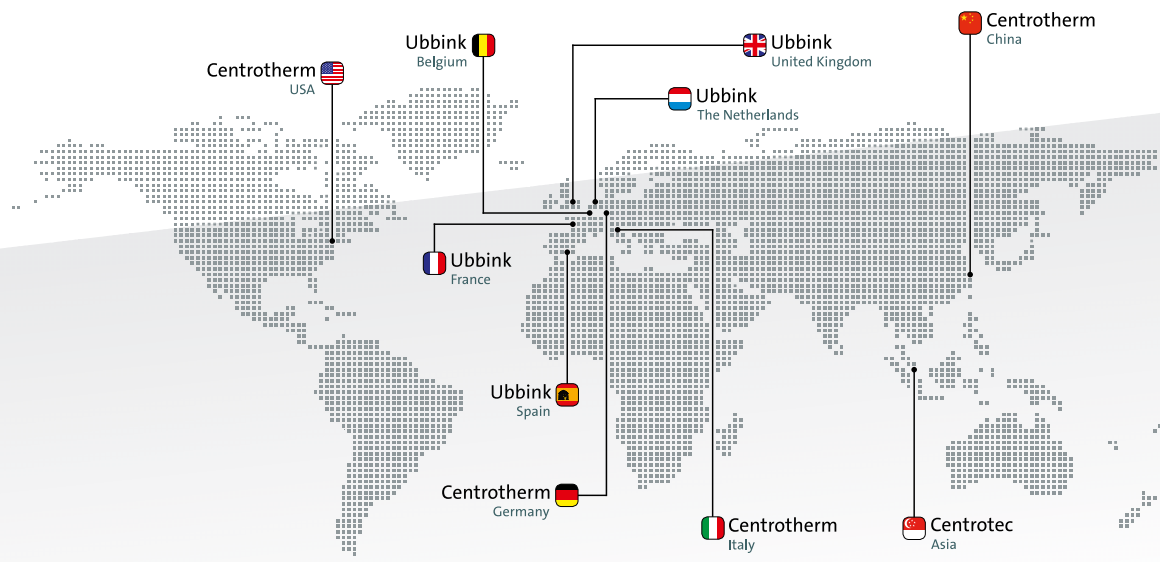
INOX Wall support

- Air inlet for combustion
- The inlet can be closed when the optional air inlet is used



Wall throughput pipe

Ubbink Centrotherm group



- Ubbink Netherlands** www.ubbink.nl
- Ubbink Belgium** www.ubbink.be
- Ubbink France** www.ubbink.fr
- Ubbink Spain** www.ubbink.es
- Ubbink United Kingdom** www.ubbink.co.uk
- Centrotherm Germany** www.centrotherm.com
- Centrotherm Italy** www.centrotherm.it
- Centrotherm U.S.A.** www.centrotherm.us.com
- Centrotherm China** www.centrotherm-china.com

www.ubbink-centrotherm.com

© 2015 - Ubbink Centrotherm Group | Content is subject to change without notice | Availability and configurations may differ per country | UCG-2015-03-V01

